

1 **REST AREA 1 MILE** (OPTION) R7-302b 108" X 16"
 WHITE ON BLUE D5-1 120" X 60"

NEXT REST AREA XX MI (OPTION)

OR

REST AREA 2 MILES D5-1a 120" X 60"

2 **REST AREA NEXT RIGHT** (OPTION) R7-302b 108" X 16"
 D5-1b 144" X 48"

3 **EXIT XX M.P.H.** (OPTION) W13-2 24" X 30"

4 **REST AREA** 78" X 78"
 (OPTION) D9-6

5 **RAMP XX M.P.H.** (OPTION) W13-3 24" X 30"

6 **WRONG WAY** R5-1a 36" X 24"

8 **TRUCKS CARS WITH TRAILERS** WHITE ON BLUE 108" X 42"
CARS

9 **DO NOT ENTER** R5-1 30" X 30"

10 **NO OVERNIGHT PARKING** R7-302a 18" X 24"

11 **NO PETS ALLOWED IN BUILDINGS** M10-18b 21" X 15"

12 **KEEP PETS ON LEASH** M10-19 12" X 18"

13 **RESERVED PARKING** (OPTIONAL) VAN ACCESSIBLE \$250
 OR
RESERVED PARKING (OPTIONAL) VAN ACCESSIBLE \$250
 R7-8E 12" X 26"
 R7-8a OR R7-8b

14 **PET EXERCISE AREA** M10-18aR 15" X 6"

15 **PET EXERCISE AREA** M10-18aL 15" X 6"

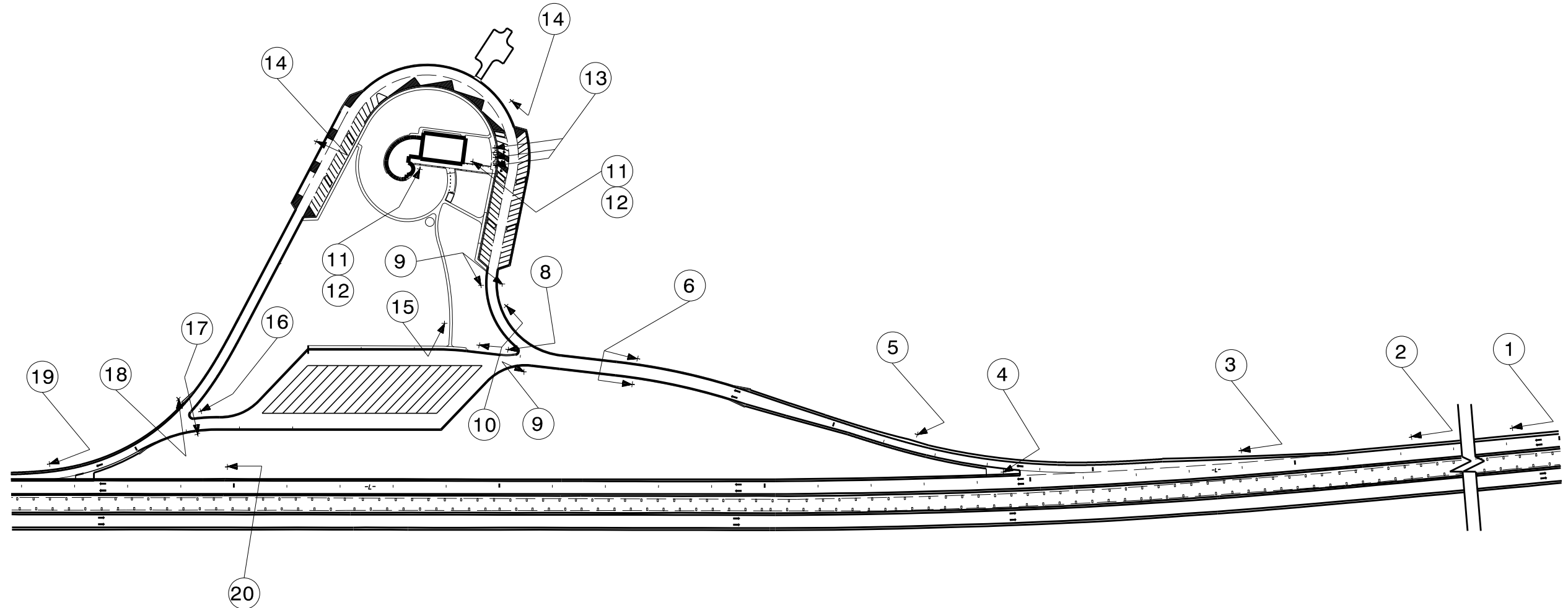
16 **YIELD** R1-2 36" X 36" X 36"

17 **ONE WAY** R6-1 (R) 54" X 18"

18 **ONE WAY** R6-1 (L) 54" X 18"

19 **FASTEN SEAT BELTS** M10-20 24" X 9"

20 **UPWARD ARROW** W4-1 (R) 48" X 48"



1 **REST AREA 1 MILE** (OPTION) R7-302b 108" X 16"
D5-1 120" X 60"

NEXT REST AREA XX MI (OPTION)

OR

REST AREA 2 MILES D5-1a 120" X 60"

2 **REST AREA NEXT RIGHT** (OPTION) R7-302b 108" X 16"
D5-1b 144" X 48"

3 **EXIT XX M.P.H.** (OPTION) W13-2 24" X 30"

4 **REST AREA** 78" X 78"
(OPTION) D9-6

5 **RAMP XX M.P.H.** (OPTION) W13-3 24" X 30"

6 **WRONG WAY** R5-1a 36" X 24"

7 **Operation Rest Assured** TO BE DETERMEND
FOR EMERGENCIES DIAL 911 OR *HP (*47) TO BE DETERMEND

8 **TRUCKS CARS WITH TRAILERS** WHITE ON BLUE 108" X 42"
CARS

9 **DO NOT ENTER** R5-1 30" X 30"

10 **NO OVERNIGHT PARKING** R7-302a 18" X 24"

11 **NO PETS ALLOWED IN BUILDINGS** M10-18b 21" X 15"

12 **KEEP PETS ON LEASH** M10-19 12" X 18"

13 **RESERVED PARKING** OR **RESERVED PARKING** R7-8E 12" X 26"
MAXIMUM PENALTY \$250
VAN ACCESSIBLE (OPTIONAL) OR VAN ACCESSIBLE (OPTIONAL) R7-8a OR R7-8b

14 **PET EXERCISE AREA** M10-18aR 15" X 6"

15 **YIELD** R1-2 36" X 36" X 36"

16 **ONE WAY** R6-1 (R) 54" X 18"

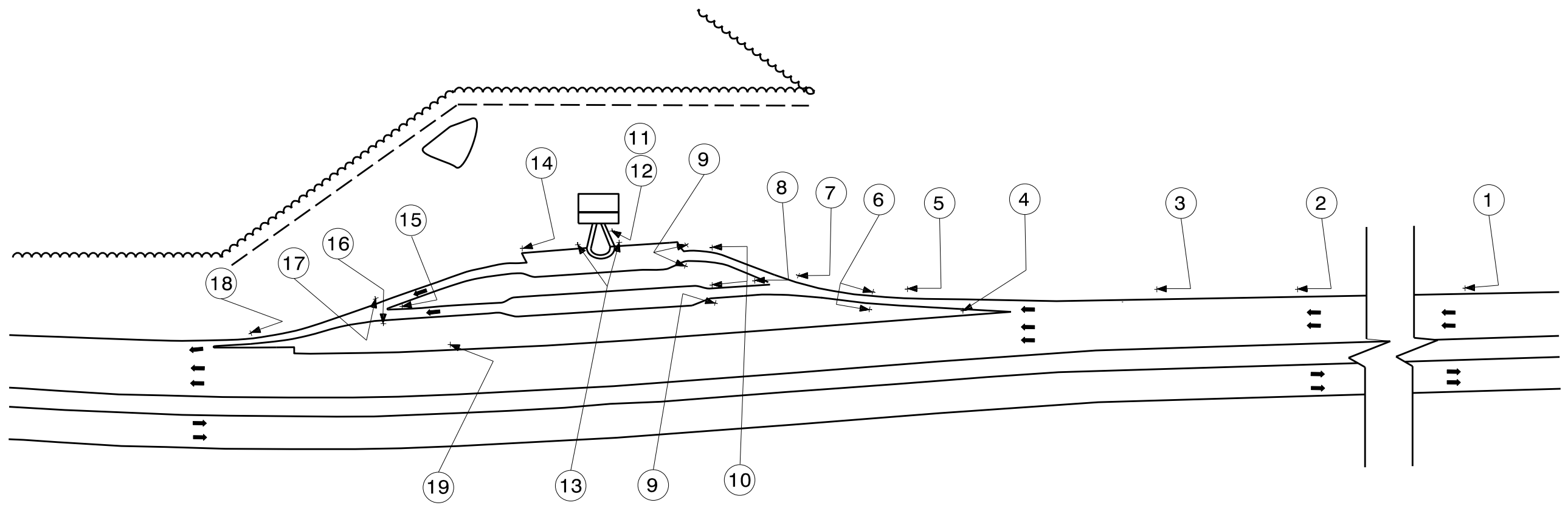
17 **ONE WAY** R6-1 (L) 54" X 18"

18 **FASTEN SEAT BELTS** M10-20 24" X 9"

19 **W4-1 (R)** 48" X 48"

ENGLISH DETAIL DRAWING FOR
TYPICAL SIGNING FOR REST AREAS

ENGLISH DETAIL DRAWING FOR
TYPICAL SIGNING FOR REST AREAS



1 **REST AREA**
NORTH CAROLINA WELCOME CENTER
1 MILE
OR
REST AREA
TOURIST INFO CENTER
1 MILE
(OPTION)
NO OVERNIGHT PARKING

WHITE ON BLUE
D5-9
162" x 84"

WHITE ON BLUE
D5-7
132" x 84"

R7-30b
354" x 78"

2 **REST AREA**
NORTH CAROLINA WELCOME CENTER
OR
REST AREA
TOURIST INFO CENTER

WHITE ON BLUE
D5-11
162" x 84"

WHITE ON BLUE
132" x 84"

3 **REST AREA**

R5-1a
78" x 78"

(OPTION)
D9-6

4 **WRONG WAY**

R 5-1a
36" x 24"

5 **TRUCKS WITH TRAILERS**
CARS WITH TRAILERS
OR
TRUCKS
CARS WITH TRAILERS

WHITE ON BLUE
84" x 48"

WHITE ON BLUE
84" x 48"

6 **NO OVERNIGHT PARKING**

R7-302a
18" x 24"

7 **CARS WITH TRAILERS PARKING 400 FT**

WHITE ON BLUE
60" x 18"

KEEP PETS ON LEASH

M10-19
12" x 18"

8 **DO NOT ENTER**

R5-1
30" x 30"

9 **CARS WITH TRAILERS PARKING**

WHITE ON BLUE
60" x 24"

R7-8E
12" x 26"

RESERVED PARKING
MAXIMUM PENALTY \$250
(OPTIONAL)
VAN ACCESSIBLE

PET EXERCISE AREA

M10-18a R
15" x 6"

10 **PET EXERCISE AREA**

M10-18a R
15" x 6"

11 **PET EXERCISE AREA**

M10-18a
15" x 6"

12 **PET EXERCISE AREA**

M10-18a L
15" x 6"

13 **RESERVED PARKING**
MAXIMUM PENALTY \$250
(OPTIONAL)
VAN ACCESSIBLE

R7-8E
12" x 26"

R7-8a OR R7-8b

14 **PET EXERCISE AREA**

M10-18R
15" x 12"

NO PETS ALLOWED IN BUILDINGS

15 **PET EXERCISE AREA**

M10-18L
15" x 12"

NO PETS ALLOWED IN BUILDINGS

16 **KEEP PETS ON LEASH**

M10-19
12" x 18"

17 **YIELD**

R1-2
36 X 36 X 36

18 **ONE WAY**

R6-1L
54" x 18"

19 **ONE WAY**

R6-1R
54" x 18"

20 **FASTEN SEAT BELTS**

M10-20
24" x 9"

21 **W4-1 (R)**

48" x 48"

